



The 203-ECOLINE

The CIP and Water heater 203-ECOLINE is a compact shell & tube heat exchanger. The u-bended tubes will absorb thermal expansions, caused by high differences in temperature between tube and shell side. 203-ECOLINE meets the requirements of the most heating applications and customer's needs. It is also possible to customise the heater according to your specific wishes. 203-ECOLINE complies with the requirements of the European Pressure Equipment Directive 2014/68/EU and carries the CE mark with declaration of conformity.

Material

Shell Side pressure vessel steel 1.4301 (AISI 304)

Tube Side pressure vessel steel 1.4404 (316L)

Connections

Shell Side steam inlet flange DN80/PN16 acc. to EN 1092-1
condensate flange outlet DN25/PN40 acc. to EN 1092-1

Tube Side hygienic flanges DN65 acc. to DIN 11853-2

Technical data and design

The heat exchanger is approved for below specified pressure and temperature

Shell Side 10 bar (1 MPa) / 200 °C (392°F)

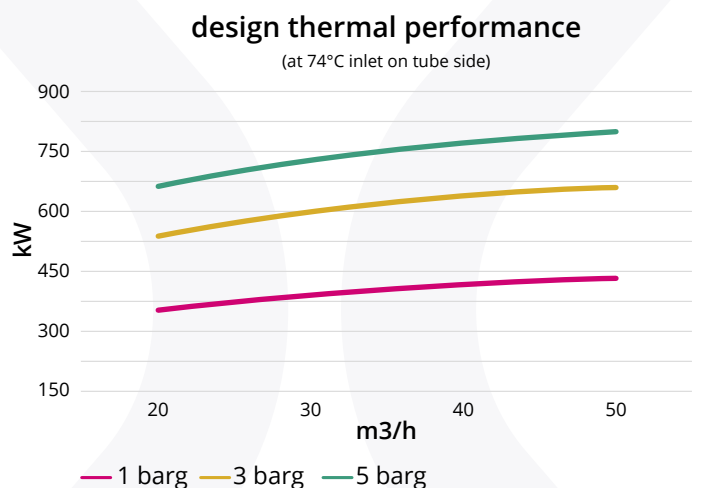
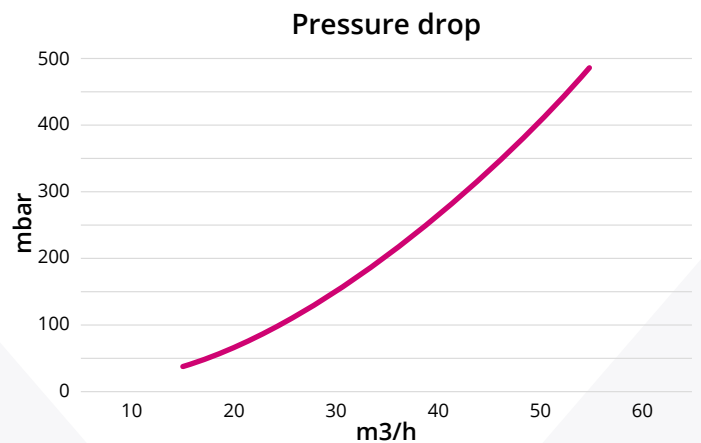
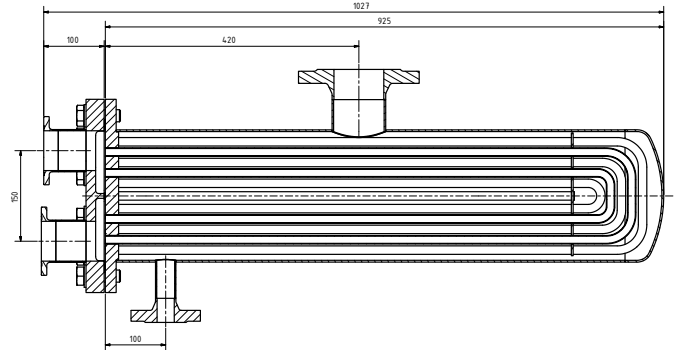
Tube Side 10 bar (1 MPa) / 120°C (248°F)

Weight 75 kg

Heat transfer area 2,9 m²

Options

- Pedestal foot
- Other connections and sizes (flanges, clamp, BSP etc.)
- Tube material 1.4462 (318LN), 1.4539 (AISI 904L)
- Insulation



Special Price:
1954 €
ex Stock

